

PUFFER ESF - EF1 - EF2 - EF3 evolution



> VOLANO TERMICO PUFFER PER ACQUA CALDA IN VERSIONE SENZA FLANGIA O CON 1 - 2 - 3 FLANGE

ESF: Accumulo per acqua di riscaldamento, interno non trattato, esterno verniciato.

EF1 - EF2 - EF3: Accumulo per acqua di riscaldamento, interno non trattato, esterno verniciato, con flangia ø mm 290/220.

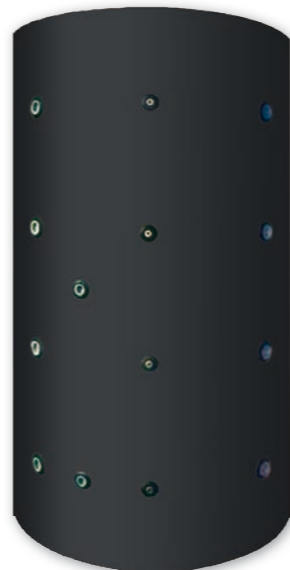
Isolamento: Poliuretano morbido 100 mm.

> BUFFER TANK FOR HOT WATER WITHOUT FLANGE OR WITH 1-2-3 FLANGES

ESF: Storage tank for heating water, no inside handling, outside painting.

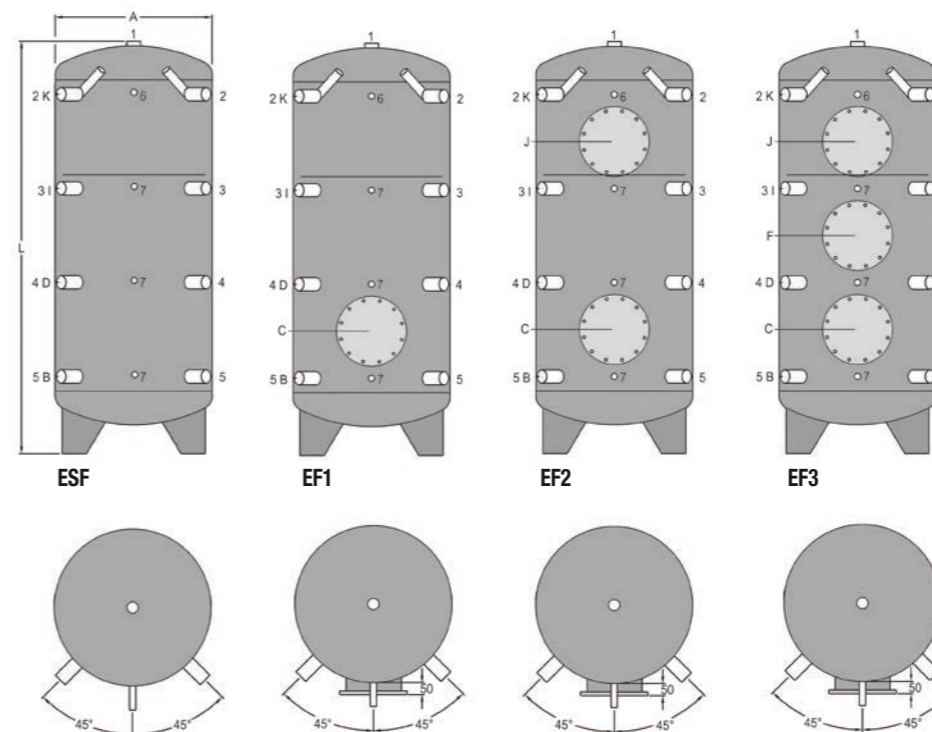
EF1 - EF2 - EF3: Storage tank for heating water, no inside handling, outside painting, with flange ø mm 290/220.

Insulation: Soft polyurethane 100 mm.



PUFFER ESF - EF1 - EF2 - EF3		300	500	800	1000	1250	1500	2000	2500	3000	4000	5000		
Bollitore isolamento poliuretano morbido 100 mm Soft polyurethane 100 mm	ø mm	700	850	990	990	1100	1200	1300	1450	1450	1700	1800		
Altezza totale con isolamento Tot. height with insulation	mm	1635	1775	1800	2190	2095	2165	2480	2220	2720	2645	2870		
Altezza massima in raddrizzamento Diagonal size	mm	1630	1750	1804	2200	2100	2110	2350	2350	2780	2830	3050		
Flangia Flange	ø mm	290/200												
Peso a vuoto Weight empty		ESF	kg	90	120	170	190	220	240	330	350	400	460	555
		EF1	kg	105	135	185	205	235	255	345	365	415	475	570
		EF2	kg	120	150	200	220	250	270	360	380	430	490	585
		EF3	kg	135	165	215	235	265	285	375	395	445	505	600
Pressione massima dello scambiatore Max. working-pressure heat exchanger	bar	6												
Pressione massima del riscaldamento Max. working-pressure heating	bar	3												
Temperatura massima di esercizio del bollitore Max. working-temperature boiler	°C	95												
Classificazione energetica Energy rating		C	D	-	-	-	-	-	-	-	-	-		
Dispersione termica Standing loss	W	74	126	170	203	218	249	305	-	-	-	-		

**N.B. - Piatto destratificatore di serie.
Standard stratifier plate.**



**N.B. - Su richiesta si eseguono Puffer speciali con misure fuori standard.
Special buffer tanks available on request with non-standard dimensions.**

Mod.	A	B	C	D	E	F	G	H	I	J	K	L
300	500	230	415	600	830	785	815	1025	970	1250	1340	1560
500	650	330	520	710	750	900	930	1050	1090	1380	1470	1700
800	790	340	530	720	700	910	1045	1060	1095	1380	1470	1725
1000	790	280	545	805	700	1075	990	1395	1335	1630	1860	2115
1250	900	360	590	820	730	1050	1260	1320	1280	1510	1740	2020
1500	1000	390	620	850	780	1080	1290	1220	1310	1540	1770	2090
2000	1100	390	670	950	870	1230	1290	1500	1510	1790	2070	2405
2500	1250	395	625	855	-	1075	1295	-	1315	1545	1775	2145
3000	1250	390	705	1020	-	1335	1170	-	1650	2050	2280	2645
4000	1500	470	750	1030	-	1310	1095	-	1590	1920	2150	2575
5000	1600	465	780	1100	-	1410	1090	-	1730	2125	2355	2795

LISTINO PREZZI / PRICE LIST

Mod.	POLIURETANO MORBIDO 100 mm SOFT POLYURETHANE 100 mm	COD.
ESF		
300		NS1100269
500		NS1100270
800		NS1100271
1000		NS1100272
1250		NS1100273
1500		NS1100274
2000		NS1100275
2500		NS1100276
3000		NS1100277
4000		NS1100278
5000		NS1100279

LISTINO PREZZI / PRICE LIST

Mod.	POLIURETANO MORBIDO 100 mm SOFT POLYURETHANE 100 mm	COD.
EF1		
300		NS1100280
500		NS1100281
800		NS1100282
1000		NS1100283
1250		NS1100284
1500		NS1100285
2000		NS1100286
2500		NS1100287
3000		NS1100288
4000		NS1100289
5000		NS1100290

PER BOILER IN VERSIONE ORIZZONTALE +15% / FOR HORIZONTAL VERSION BOILER +15%

Mod.	POLIURETANO MORBIDO 100 mm SOFT POLYURETHANE 100 mm	COD.
EF2		
300		NS1100291
500		NS1100292
800		NS1100293
1000		NS1100294
1250		NS1100295
1500		NS1100296
2000		NS1100297
2500		NS1100298
3000		NS1100299
4000		NS1100300
5000		NS1100301

Mod.	POLIURETANO MORBIDO 100 mm SOFT POLYURETHANE 100 mm	COD.
EF3		
300		NS1100302
500		NS1100303
800		NS1100304
1000		NS1100305
1250		NS1100306
1500		NS1100307
2000		NS1100308
2500		NS1100309
3000		NS1100310
4000		NS1100311
5000		NS1100312