

PUFFER AF



> VOLANO TERMICO PUFFER PER ACQUA REFRIGERATA IN VERSIONE SENZA FLANGIA

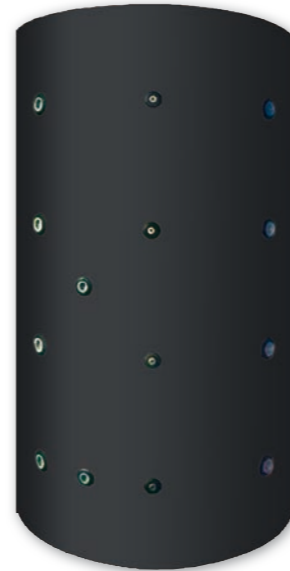
Puffer per acqua refrigerata, interno non trattato.

Isolamento: Poliuretano rigido iniettato 50 mm (mod. 50÷500), PEXL 30 mm (mod. 800÷2000).

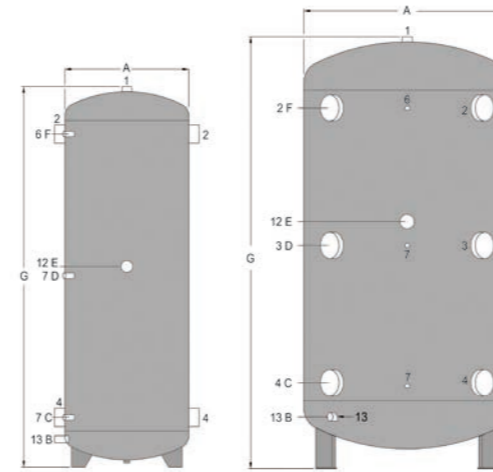
> BUFFER TANK FOR COLD WATER WITHOUT FLANGE

Storage tank for cold water, no inside handling, outside painting.

Insulation: Foamed polyurethane layer 50 mm (mod. 50÷500), polyurethane-PEXL 30 mm (mod. 800÷2000).

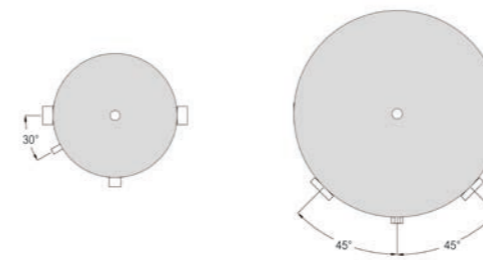


| PUFFER AF | | 50 | 100 | 200 | 300 | 400 | 500 | 800 | 1000 | 1500 | 2000 | |
|--|------|------|------|------|------|------|------|------|------|------|------|--|
| Bollitore isolamento poliuretano rigido iniettato 50 mm Foamed polyurethane layer 50 mm | ∅ mm | 400 | 500 | 550 | 600 | 700 | 700 | - | - | - | - | |
| Bollitore isolamento PEXL 30 mm Polyurethane-PEXL 30 mm | ∅ mm | - | - | - | - | - | - | 850 | 850 | 1060 | 1160 | |
| Altezza totale con isolamento Tot. height with insulation | mm | 935 | 1095 | 1395 | 1560 | 1540 | 1840 | 1725 | 1975 | 2090 | 2405 | |
| Altezza massima in raddrizzamento Diagonal size | mm | 1050 | 1250 | 1550 | 1700 | 1750 | 2000 | 1840 | 2200 | 2110 | 2530 | |
| Peso a vuoto Weight empty | kg | 25 | 35 | 45 | 55 | 95 | 100 | 170 | 190 | 240 | 330 | |
| Pressione massima del riscaldamento Max. working-pressure heating | bar | 6 | | | | | | 3 | | | | |
| Temperatura massima di esercizio del bollitore Max. working-temperature boiler | °C | 95 | | | | | | | | | | |
| Classificazione energetica Energy rating | | B | B | C | C | C | D | - | - | - | - | |
| Dispersione termica Standing loss | W | 34 | 50 | 68 | 277 | 105 | 129 | 471 | 528 | 726 | 913 | |



Mod. 50÷500

Mod. 800÷2000



**N.B. - Su richiesta si eseguono Puffer speciali con misure fuori standard.
Special buffer tanks available on request with non-standard dimensions.**

| Mod. | A | B | C | D | E | F | G |
|------|------|-----|-----|------|------|------|------|
| 50 | 300 | 100 | 180 | 485 | 530 | 785 | 935 |
| 100 | 400 | 100 | 185 | 560 | 605 | 935 | 1095 |
| 200 | 450 | 105 | 215 | 700 | 750 | 1200 | 1395 |
| 300 | 500 | 120 | 235 | 785 | 830 | 1340 | 1560 |
| 400 | 600 | 135 | 240 | 775 | 820 | 1310 | 1540 |
| 500 | 600 | 135 | 240 | 925 | 970 | 1610 | 1840 |
| 800 | 790 | 220 | 355 | 905 | 990 | 1455 | 1725 |
| 1000 | 790 | 220 | 355 | 1030 | 1130 | 1705 | 1975 |
| 1500 | 1000 | 250 | 415 | 1080 | 1180 | 1745 | 2090 |
| 2000 | 1100 | 250 | 415 | 1230 | 1330 | 2045 | 2405 |

LISTINO PREZZI / PRICE LIST

PER BOILER IN VERSIONE ORIZZONTALE +15% / FOR HORIZONTAL VERSION BOILER +15%

| Mod. AF | POLIURETANO RIGIDO INIETTATO 50 mm FOAMED POLYURETHANE LAYER 50 mm COD. |
|---------|---|
| 50 | NS1100342 |
| 100 | NS1100343 |
| 200 | NS1100344 |
| 300 | NS1100345 |
| 500 | NS1100346 |

| Mod. AF | POLIURETANO PEXL 30 mm POLYURETHANE-PEXL 30 mm COD. |
|---------|---|
| 800 | NS1100347 |
| 1000 | NS1100348 |
| 1500 | NS1100349 |
| 2000 | NS1100350 |