

COMBI CT1 - CT2 - CT3 top



5
ANNI GARANZIA
YEARS WARRANTY



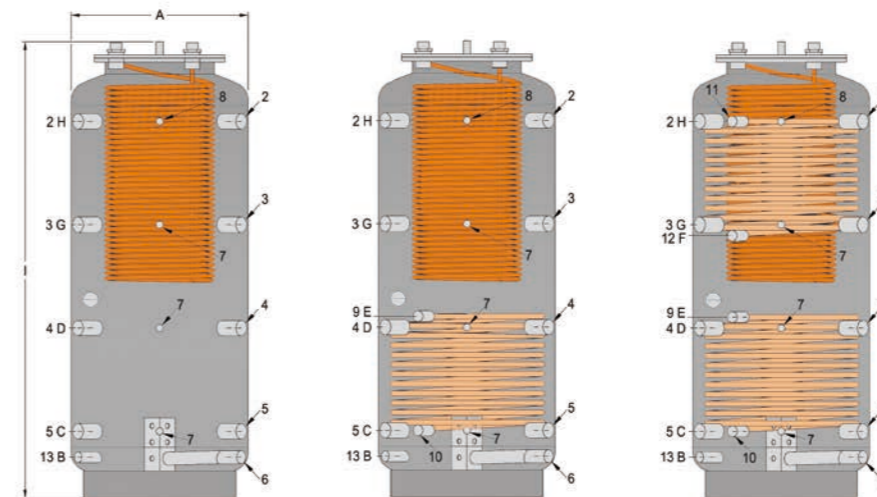
> BOLLITORE COMBINATO PER PRODUZIONE ACQUA SANITARIA IN ISTANTANEA E RISCALDAMENTO CON SCAMBIATORE ESTRAIBILE E SENZA O CON 1 - 2 SCAMBIATORI FISSI

Accumulo per acqua di riscaldamento con stratificatore e scambiatore sanitario estraibile.
Isolamento: Poliuretano morbido 100 mm.

> COMBINED BOILER FOR PRODUCTION OF INSTANT SANITARY WATER AND HEATING WITH EXTRACTABLE EXCHANGER AND WITH OR WITHOUT 1-2 FIXED EXCHANGERS

Tank for heating water with innovative thermic chimney and incorporated sanitary exchanger.
Insulation: Soft polyurethane 100 mm.

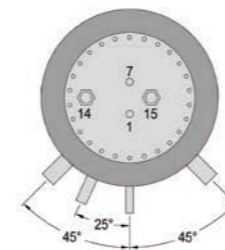
| COMBI CT1 - CT2 - CT3 | | 500 | 800 | 1000 | 1250 | 1500 | 2000 | 2500 | 3000 | |
|---|--------------------|-------------------|-------|-------|-------|-------|-------|-------|-------|------|
| Bollitore isolamento poliuretano morbido 100 mm Soft polyurethane 100 mm | Ø mm | 850 | 990 | 990 | 1100 | 1200 | 1300 | 1450 | 1450 | |
| Altezza totale con isolamento Tot. height with insulation | mm | 1690 | 1725 | 2175 | 2030 | 2110 | 2445 | 2215 | 2715 | |
| Altezza massima in raddrizzamento Diagonal size | mm | 1720 | 1850 | 2240 | 2135 | 2225 | 2560 | 2370 | 2845 | |
| Scambiatore Heat exchanger | Superiore Upper | m ² | 2,0 | 2,0 | 2,0 | 2,5 | 3,0 | 3,0 | 4,0 | 5,0 |
| | Inferiore Lower | m ² | 2,0 | 2,5 | 3,0 | 3,0 | 3,5 | 4,0 | 4,0 | 5,0 |
| Contenuto d'acqua del serpentino Pipe coil water capacity | Superiore Upper | l | 11,4 | 11,8 | 11,8 | 14,0 | 19,0 | 17,7 | 22,7 | 28,2 |
| | Inferiore Lower | l | 11,4 | 14,2 | 16,6 | 16,8 | 20,5 | 22,7 | 22,7 | 28,2 |
| Potenza assorbita Absorbed power | Superiore Upper | kW | 34 | 42 | 42 | 55 | 66 | 66 | 104 | 130 |
| | Inferiore Lower | kW | 48 | 63 | 75 | 78 | 91 | 104 | 104 | 130 |
| Portata necessaria al serpentino Necessary capacity heat-exchanger | Superiore Upper | m ³ /h | 1,5 | 1,8 | 1,8 | 2,4 | 2,8 | 2,8 | 4,5 | 5,6 |
| | Inferiore Lower | m ³ /h | 2,1 | 2,7 | 3,2 | 3,4 | 3,9 | 4,5 | 4,5 | 5,6 |
| Perdite di carico Pressure loss | Superiore Upper | mbar | 63 | 72 | 72 | 144 | 276 | 258 | 808 | 1556 |
| | Inferiore Lower | mbar | 91 | 191 | 313 | 343 | 565 | 808 | 808 | 1556 |
| Scambiatore sanitario Sanitary exchanger | m ² | 3,38 | 3,38 | 4,27 | 4,27 | 4,87 | 4,87 | 4,87 | 5,46 | |
| Contenuto d'acqua del serpentino sanitario Water capacity of the sanitary water exchanger | l | 14,90 | 14,90 | 18,83 | 18,83 | 21,49 | 21,49 | 21,49 | 21,90 | |
| Potenza assorbita serpentino sanitario Absorbed power of the sanitary water exchanger | kW | 59 | 59 | 74 | 74 | 85 | 85 | 85 | 95 | |
| Produzione acqua sanitaria 80/60°C (DIN 4708) Output sanitary water with tank at 80/60° (DIN 4708) | m ³ /h | 1,5 | 1,5 | 1,8 | 1,8 | 2,1 | 2,1 | 2,1 | 2,3 | |
| Perdite di carico serpentino sanitario Pressure loss of the sanitary water exchanger | mbar | 280 | 280 | 550 | 550 | 820 | 820 | 820 | 170 | |
| Coefficiente (DIN 4708) Power code (DIN 4708) | NL | 10,3 | 13,1 | 14,6 | 16,6 | 19,6 | 21,2 | 26,2 | 32,5 | |
| Flangia Flange | Ø mm | 480/400 | | | | | | | | |
| Peso a vuoto Weight empty | CT1 | kg | 140 | 190 | 210 | 240 | 260 | 350 | 335 | 385 |
| | CT2 | kg | 160 | 220 | 235 | 285 | 305 | 395 | 380 | 460 |
| | CT3 | kg | 200 | 250 | 295 | 330 | 365 | 440 | 425 | 535 |
| Pressione massima dello scambiatore Max. working-pressure heat exchanger | bar | 6 | | | | | | | | |
| Pressione massima del riscaldamento Max. working-pressure heating | bar | 3 | | | | | | | | |
| Temperatura massima di esercizio del bollitore Max. working-temperature boiler | °C | 95 | | | | | | | | |
| Classificazione energetica Energy rating | D | - | - | - | - | - | - | - | - | |
| Dispersione termica Standing loss | W | 139 | 175 | 209 | 224 | 256 | 314 | - | - | |



CT1

CT2

CT3



| Mod. | A | B | C | D | E | F | G | H | I |
|-------------|------|-----|-----|------|------|------|------|------|------|
| 500 | 650 | 150 | 245 | 625 | 665 | 965 | 1005 | 1385 | 1680 |
| 800 | 790 | 170 | 280 | 660 | 640 | 1000 | 1035 | 1410 | 1780 |
| 1000 | 790 | 170 | 280 | 805 | 700 | 1395 | 1335 | 1860 | 2180 |
| 1250 | 900 | 195 | 305 | 765 | 675 | 1265 | 1225 | 1685 | 2035 |
| 1500 | 1000 | 235 | 345 | 805 | 735 | 1175 | 1265 | 1725 | 2110 |
| 2000 | 1100 | 240 | 360 | 920 | 840 | 1470 | 1480 | 2040 | 2450 |
| 2500 | 1250 | 275 | 395 | 855 | 875 | 1295 | 1315 | 1775 | 2220 |
| 3000 | 1250 | 275 | 390 | 1020 | 1170 | 1500 | 1650 | 2280 | 2720 |

LISTINO PREZZI / PRICE LIST

| Mod. CT1 | POLIURETANO MORBIDO 100 mm SOFT POLYURETHANE 100 mm COD. | Mod. CT2 | POLIURETANO MORBIDO 100 mm SOFT POLYURETHANE 100 mm COD. | Mod. CT3 | POLIURETANO MORBIDO 100 mm SOFT POLYURETHANE 100 mm COD. |
|-------------|--|-------------|--|-------------|--|
| 500 | NS1100245 | 500 | NS1100253 | 500 | NS1100261 |
| 800 | NS1100246 | 800 | NS1100254 | 800 | NS1100262 |
| 1000 | NS1100247 | 1000 | NS1100255 | 1000 | NS1100263 |
| 1250 | NS1100248 | 1250 | NS1100256 | 1250 | NS1100264 |
| 1500 | NS1100249 | 1500 | NS1100257 | 1500 | NS1100265 |
| 2000 | NS1100250 | 2000 | NS1100258 | 2000 | NS1100266 |
| 2500 | NS1100251 | 2500 | NS1100259 | 2500 | NS1100267 |
| 3000 | NS1100252 | 3000 | NS1100260 | 3000 | NS1100268 |

| N° | TIPO DI ATTACCO CONNECTOR TYPE | mod. 500 | mod. 800÷3000 |
|-----|---|-------------|------------------|
| 1. | Sfiato Air evacuation | 1/2" | 1/2" |
| 2. | Mandata caldaia Boiler inlet | 1"1/2 | 1"1/2 |
| 3. | Mandata riscaldamento Heat carrier inlet | 1"1/2 | 1"1/2 |
| 4. | Ritorno caldaia-riscaldamento a 50°C Boiler outlet-heating at 50°C | 1"1/2 | 1"1/2 |
| 5. | Ritorno caldaia-riscaldamento Boiler outlet-heating | 1"1/2 | 1"1/2 |
| 6. | Ritorno acqua a 30°C Water-circuit at 30°C inlet | 1"1/4 | 1"1/2 |
| 7. | Sonda Feeler | 1/2" | 1/2" |
| 8. | Termometro Thermometer | 1/2" | 1/2" |
| 9. | Mandata energia solare Solar heat carrier inlet | 1" | 1" |
| 10. | Ritorno energia solare Solar heat carrier outlet | 1" | 1" |
| 11. | Mandata energia alternativa Alternative heat carrier inlet | 1" | 1" |
| 12. | Ritorno energia alternativa Alternative heat carrier outlet | 1" | 1" |
| 13. | Scarico Drain coil | 1" | 1" |
| 14. | Mandata acqua calda sanitaria Domestic hot water inlet | 1"1/4 | 1"1/4 |
| 15. | Ingresso acqua fredda sanitaria Cold water inlet | 1"1/4 | 1"1/4 |