

## AQUA 1 BPI inox



**5**  
ANNI GARANZIA  
YEARS WARRANTY



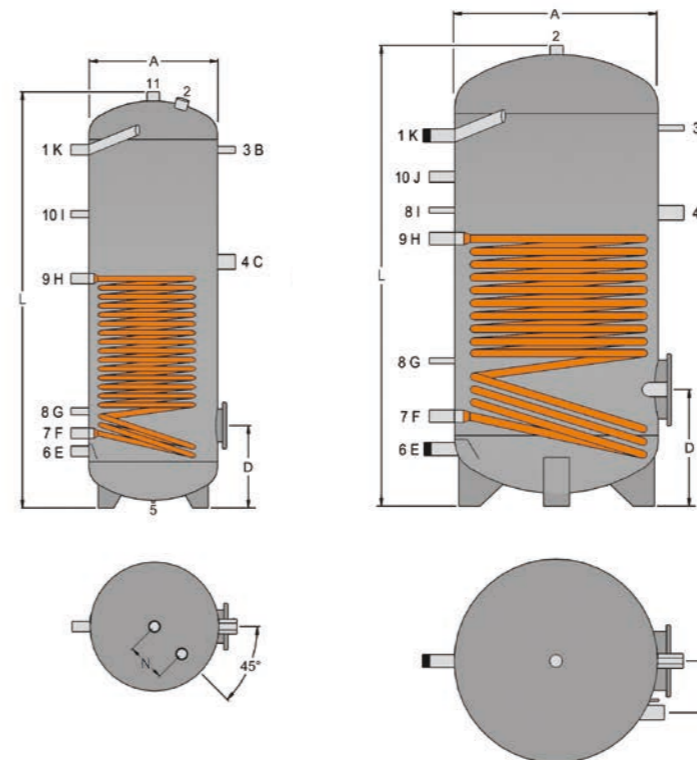
### > BOLLITORE PER PRODUZIONE ACQUA SANITARIA CON SCAMBIATORE FISSO

Bollitore a 1 serpentino in acciaio inox AISI 316L.  
Isolamento: Poliuretano rigido iniettato 50 mm (mod. 150÷600),  
poliuretano morbido 100 mm (mod. 800÷2000).

### > TANK FOR SANITARY HOT WATER PRODUCTION WITH FIXED EXCHANGER

Water-heater by AISI 316L stainless steel with 1 fixed pipe-coil.  
Insulation: Foamed polyurethane layer 50 mm (mod. 150÷600),  
soft polyurethane 100 mm (mod. 800÷2000).

AQUA 1 BPI inox		150	200	300	400	500	600	800	1000	1500	2000
Bollitore isolamento poliuretano rigido iniettato 50 mm Foamed polyurethane layer 50 mm	∅ mm	600	600	600	600	750	750	-	-	-	-
Bollitore isolamento poliuretano morbido 100 mm Soft polyurethane 100 mm	∅ mm	-	-	-	-	-	-	990	990	1200	1300
Altezza totale con isolamento Tot. height with insulation	mm	1020	1245	1645	1490	1720	1990	1855	2105	2185	2470
Altezza massima in raddrizzamento Diagonal size	mm	1190	1390	1800	1700	1900	2200	1900	2140	2280	2580
Scambiatore Heat exchanger	m <sup>2</sup>	1,0	1,2	1,5	1,7	2,1	2,4	2,7	3,0	3,4	4,2
Contenuto d'acqua del serpentino Pipe coil water capacity	l	6,1	7,3	9,1	10,3	12,8	14,6	16,4	18,2	19,5	24,0
Potenza assorbita Absorbed power	kW	24	29	36	41	53	60	68	75	89	110
Portata necessaria al serpentino Necessary capacity heat-exchanger	m <sup>3</sup> /h	1,0	1,3	1,6	1,8	2,3	2,6	3,0	3,3	3,8	4,7
Produzione acqua sanitaria 80/60°C-10/45°C (DIN 4708) Output sanitary water 80°/60°C - 10°/45°C (DIN 4708)	m <sup>3</sup> /h	0,6	0,7	0,9	1,0	1,3	1,5	1,7	1,9	2,2	2,7
Perdite di carico Pressure loss	mbar	12	22	42	60	122	177	254	341	424	792
Coefficiente di resa Power code	NL	3,0	4,0	5,0	5,5	12,0	14,0	16,0	22,0	26,0	32,0
Flangia Flange	∅ mm	180/120					290/220				
Peso a vuoto Weight empty	kg	50	65	85	95	105	115	130	150	325	410
Pressione massima del sanitario Max. working-pressure tank	bar	10					6				
Pressione massima dello scambiatore Max. working-pressure heat exchanger	bar	6									
Temperatura massima di esercizio del bollitore Max. working-temperature boiler	°C	95									
Classificazione energetica Energy rating		B	C	C	D	D	-	-	-	-	-
Dispersione termica Standing loss	W	55	67	85	115	130	147	174	193	250	305



Mod. 150÷600

Mod. 800÷2000

N°	TIPO DI ATTACCO CONNECTOR TYPE	mod. 150÷600	mod. 800-1000	mod. 1500-2000
1.	Mandata acqua calda Hot water inlet	1"	1" 1/4 tronchetto manifold	1" 1/2
2.	Anodo Anode	1" 1/4	1" 1/2	1" 1/2
3.	Termometro - Sonda Thermometer - Feeler	1/2"	1/2"	1/2"
4.	Resistenza elettrica Electric heater	1" 1/2	1" 1/2	1" 1/2
5.	Attacco bancale (cieco) Blind connection for fasting	1/2"	—	—
6.	Entrata acqua fredda Cold water inlet	1"	1" 1/4 tronchetto manifold	1" 1/2
7.	Ritorno serpentino Water exchanger outlet	1"	1" 1/4	1" 1/4
8.	Termostato Thermostat	1/2"	1/2"	1/2"
9.	Mandata serpentino Water exchanger inlet	1"	1" 1/4	1" 1/4
10.	Ricircolo Re-circulation	1/2"	1"	1"
11.	Mandata acqua calda Domestic hot water outlet	1" 1/4	—	1" 1/2

MOD.	A	B	C	D	E	F	G	H	I	J	K	L	M	N
<b>150</b>	500	775	655	330	220	300	385	620	695	-	765	990	-	150
<b>200</b>	500	1000	810	320	220	290	375	750	835	-	975	1215	-	150
<b>300</b>	500	1390	955	320	220	290	375	890	1165	-	1390	1615	-	150
<b>400</b>	650	1195	835	365	265	345	440	795	960	-	1185	1460	-	150
<b>500</b>	650	1425	960	365	265	345	440	880	1170	-	1415	1690	-	150
<b>600</b>	650	1695	1065	365	265	345	440	985	1340	-	1685	1960	-	150
<b>800</b>	790	1465	1135	435	210	345	560	1035	1145	1275	1435	1790	200	-
<b>1000</b>	790	1720	1350	440	210	350	555	1235	1395	1535	1700	2040	200	-
<b>1500</b>	1000	1820	1350	515	280	415	575	1255	1375	1530	1870	2120	230	-
<b>2000</b>	1000	2000	1540	550	260	520	730	1430	1600	1750	1990	2405	230	-

### LISTINO PREZZI / PRICE LIST

Mod. 1 BPI INOX	POLIURETANO RIGIDO INIETTATO 50 mm FOAMED POLYURETHANE LAYER 50 mm	Mod. 1 BPI INOX	POLIURETANO MORBIDO 100 mm SOFT POLYURETHANE 100 mm
	COD.		COD.
<b>150</b>	NS1200018	<b>800</b>	NS1200024
<b>200</b>	NS1200019	<b>1000</b>	NS1200025
<b>300</b>	NS1200020	<b>1500</b>	NS1200026
<b>400</b>	NS1200021	<b>2000</b>	NS1200027
<b>500</b>	NS1200022		
<b>600</b>	NS1200023		